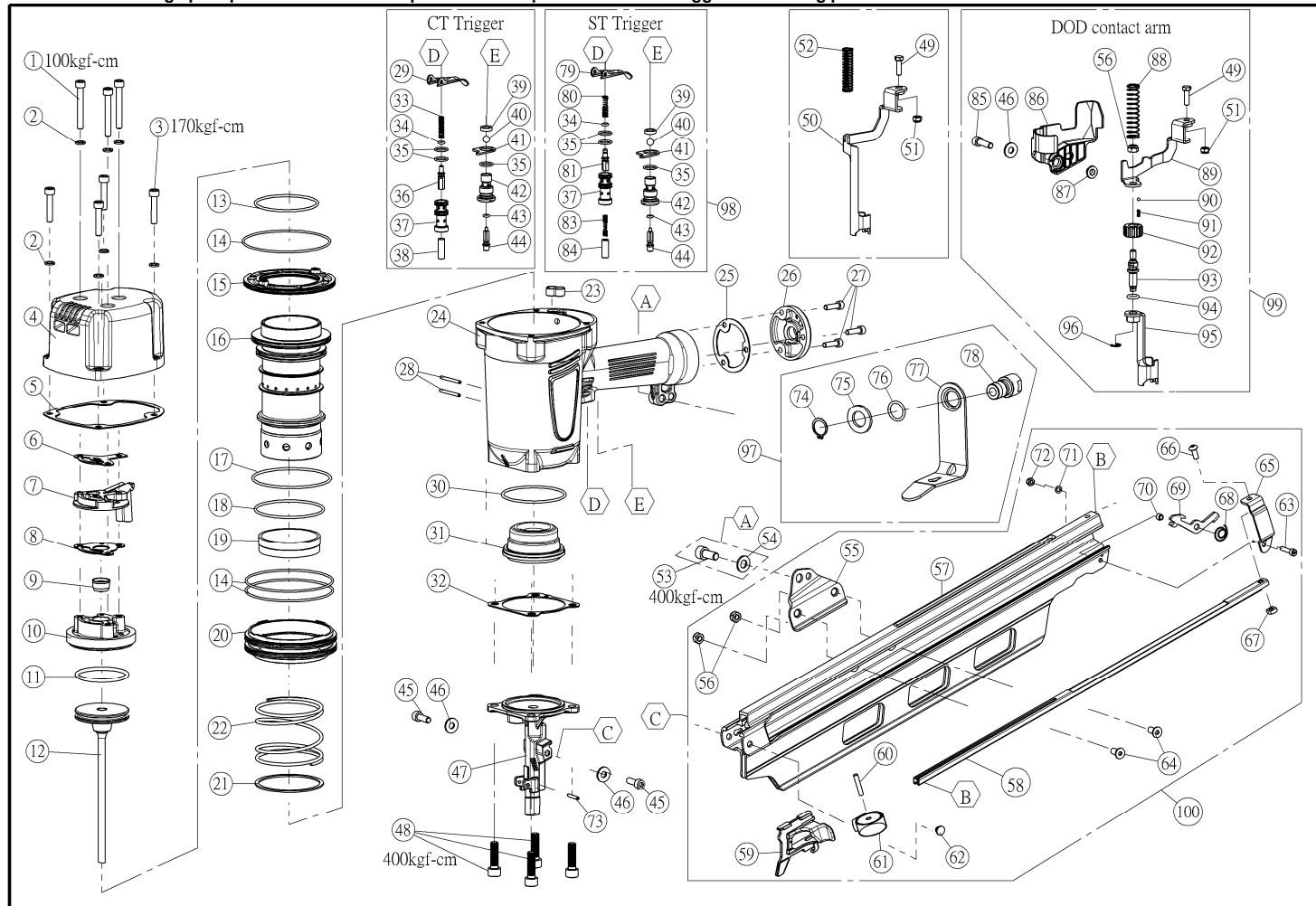


PARTS LIST / SCHEMATICS, MODEL NUMBER : FSN2283B

NOTE : When ordering spare parts.Please state the part name and part number. ★ :Suggested wearing parts.



FSN2283B A 2025-05-14

Item	★	Part NO.	Description	Q'ty	Item	★	Part NO.	Description	Q'ty	Item	★	Part NO.	Description	Q'ty
1		106001	Hex.Soc.Hd.Bolt M6*45	3	33		106037	Spring	1	65		106058	Protective Cover	1
2		100682	Spring Washer	7	34	★	106038	O-Ring	1	66		101330	Screw M5 x 12	1
3		100127	Hex.Soc.Hd.Bolt M6*30	4	35	★	106041	O-Ring	3	67		106067	Nut	1
4		106003	Cap, Cylinder Unit	1	36		106039	Pilot Valve	1	68		106063	Spring	1
5	★	106005	Cylinder Cap Seal	1	37		106040	Valve Bushing	1	69		106061	Stop Lever	1
6	★	106006	Gasket A	1	38		106043	Plunger B	1	70		106062	Bushing	1
7		106002	Exhaust Piece	1	39		106044	Washer	1	71		106085	Washer	1
8	★	106009	Gasket B	1	40		106045	Ball Valve	1	72		100654	Lock Nut	1
9		106010	Exhaust Valve	1	41		106046	Fix-Plate	1	73		106097	Roll Pin	1
10		106011	Head cap	1	42		106047	Trigger Valve Bushing	1	74		109333	C-shaped buckle	1
11	★	106014	O-Ring	1	43	★	106065	O-Ring	1	75		109334	Washer	1
12		102066	Main Piston Unit	1	44		106048	Trigger Plunger	1	76		104402	O-Ring	1
13	★	106016	O-Ring	1	45		106071	Hex.Soc.Hd.Bolt M6*18	2	77		109313	Hook	1
14	★	106015	O-Ring	3	46		100046	Plain Washer	2	78		109580	Hook fitting	1
15		106017	Cylinder Plate	1	47		106072	Nose	1	97		109777	Hook kit	(1)
16		106135	Cylinder	1	48		109925	Hex.Soc.Hd.Bolt M8*28	4	98		103428	Sequential Mode Conversion kit	(1)
17	★	106137	O-Ring	1	49		106034	Hex.Soc.Hd. M5*16	1	99		106539	DOD Contact Arm Kit	(1)
18	★	106019	O-Ring	1	50		106074	Safety Unit	1	100		103589	Magazine Kit	(1)
19		106022	Cylinder Ring	1	51		100571	Anchor Block Lock Nut	1			MIL-30PMA-1	3/8" NPT Male Plug,(Milton)	1
20		106136	Cylinder Guide	1	52		109316	Spring, Contact Arm	1			109406	Retail Kit	(1)
21		106024	Washer	1	53		106059	Hex.Soc.Hd.Bolt M8*18	1			104893	O-Ring Kit	(1)
22		106023	Com Spring	1	54		106075	Washer	1					
23		106026	Seal	1	55		106060	Positioning sheet	1					
24		106029	Frame Unit	1	56		106076	Anchor Block Lock Nut	2					
25		106031	Seal, End Cap	1	57		106056	Magazine	1					
26		106032	End Cap	1	58		106055	Steel Channel	1					
27		100403	Hex.Soc.Hd.Bolt M5*18	3	59		106049	Pusher	1					
28		100966	Spring Pin	2	60		106050	Pin	1					
29		106042	Trigger	1	61		106053	Spring, Feed Piston	1					
30	★	106068	O-Ring	1	62		106054	Spacer Ring	1					
31		106069	Bumper	1	63		106064	Hex.Soc.Hd.Bolt M4*20	1					
32		106070	Gasket	1	64		106066	Screw M6*14	2					

FSN2283B.A

Ver : FSN2283B.010B

This tool is available with 2 actuation systems. Each system requires different trigger and / or valve parts as listed hereunder.
 Bump Fire actuation: Black Trigger
 Sequential actuation: Grey/Silver Trigger

MOQ for items in the following categories is 10pcs, order quantities under 10pcs for these items will be adjusted accordingly.

- (1) Orings – not included in the oring kits
- (2) Screws, bolts
- (3) Nuts
- (4) Pins - roll pin, solid pins
- (5) Standard washers – not special washers

About EVERWIN



EVERWIN PNEUMATIC CORP.

No.7, Wugong 7th Road, Wufeng District, Taichung City, 413, Taiwan
 www.everwinpneumatic.com