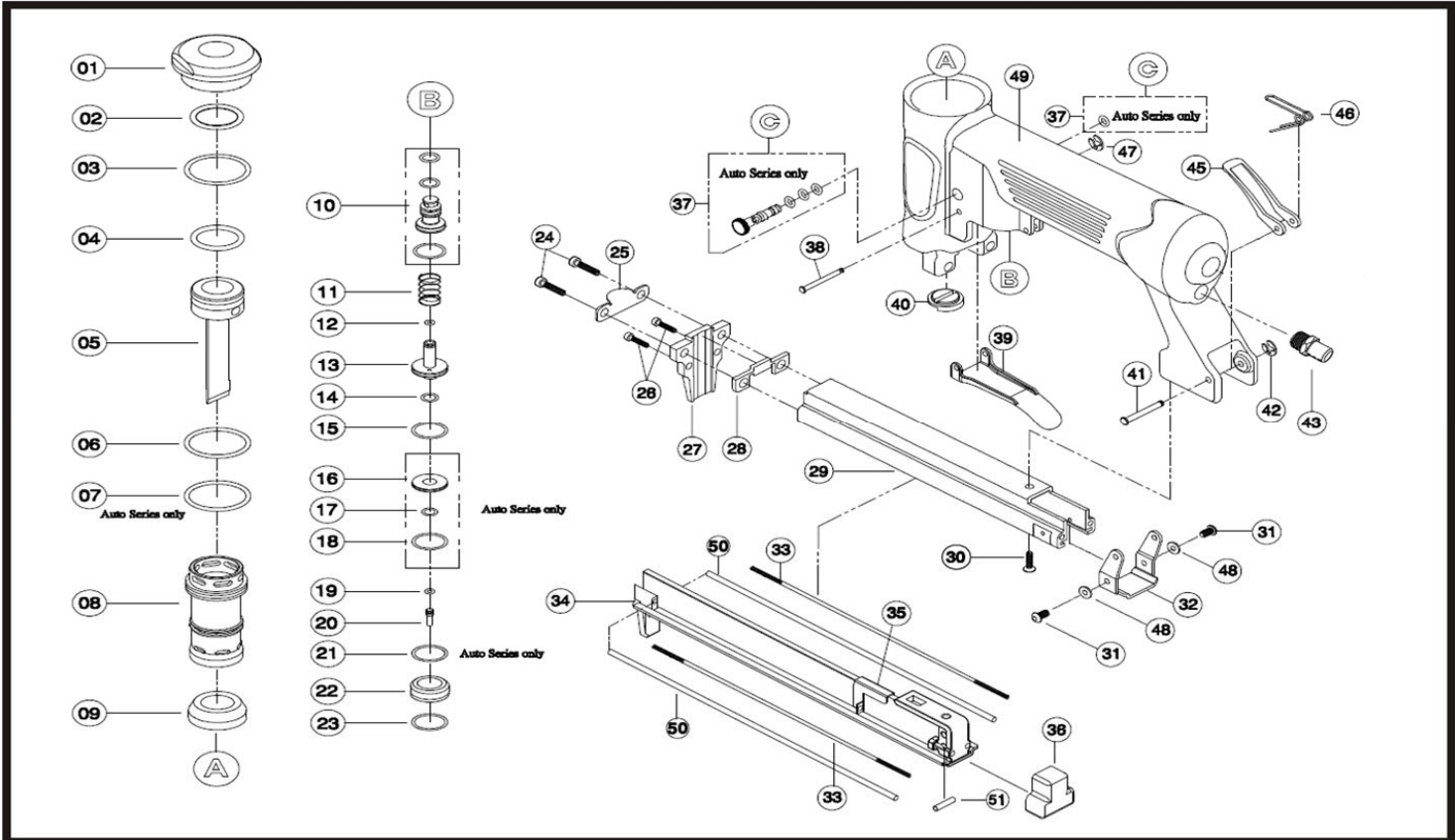


Genuine

EVERWIN

EVERWIN

Auténtico



US9716(A)		NOTE: When ordering spare parts. Please state the part name and part number						###
No.	Part NO.	Name	PCS	No.	Part NO.	Name	PCS	
1	52010	Hammer Cap Hammer	1	26	91001	Hex.HD Soc Screw	2	
2	90087	O-Ring	1	27	47140	Nose	1	
3	90000	O-Ring	1	28	15150	Nose Plate	1	
4	90001	O-Ring	1	29	47160	Magazine	1	
5	47020	Piston Ram Assembly	1	30	93001	Screw	1	
6	90000	O-Ring	1	31	98002	Screw	2	
7	90015	O-Ring (Auto Series Only)	1	32	18214	Magazine Retainer	1	
8	18030	Cylinder	1	33	23172	Pusher Spring	2	
	18040	Cylinder (Auto Series)	1	34	47180	Magazine Cover	1	
9	18050	Bumper	1	35	47190	Pusher	1	
10	18061-1	Trigger Valve Set	1	36	18200	Rear Magazine Bumper	1	
11	18071	Trigger Valve Spring	1	37	18322-1	Automatic adjust switch kit	1	
12	90055	O-Ring	1	38	52030	Pin	1	
13	18080	Trigger Valve	1	39	52040	Trigger	1	
	18090	Trigger Valve (Auto Series)	1	40	18240	Seal	1	
14	90005	O-Ring	1	41	20250	Pin	1	
	90006	O-Ring (Trigger Valve/Auto)	1	42	95001	E-Ring	1	
15	90007	O-Ring	1	43	51213	Air Silencer	1	
	90008	O-Ring (Trigger Valve/Auto)	1	45	18282	Magazine Latch	1	
16	18310	Trigger Valve plate (Auto Series Only)	1	46	18273	Magazine Latch Spring	1	
17	90005	O-Ring (Auto Series Only)	1	47	95002	E-Ring	1	
18	90033	O-Ring (Auto Series Only)	1	48	92005	Washer (8016&5016&A1116 Only)	2	
19	90009	O-Ring	1	49	18570	Gun Body	1	
	18100	Trigger Valve Stem	1		18590	Gun Body (Auto Series)	1	
20	18110	Trigger Valve Stem (Auto Series)	1	50	23050	Steel Bar	2	
	90033	O-Ring (Auto Series Only)	1		51	23060	Pin	1
21	90033	O-Ring (Auto Series Only)	1					
22	18120	Trigger Valve Guide	1					
22	18130	Trigger Valve Guide (Auto Series)	1					
23	90007	O-Ring	1					
24	91013-1	Hex.HD Soc Screw + Spring Washer	2					
25	18332	Seal Retainer	1					

About EVERWIN



EVERWIN PNEUMATIC CORP.

No.7, Wugong 7th Road, Wufeng District, Taichung City, 413, Taiwan

www.everwinpneumatic.com