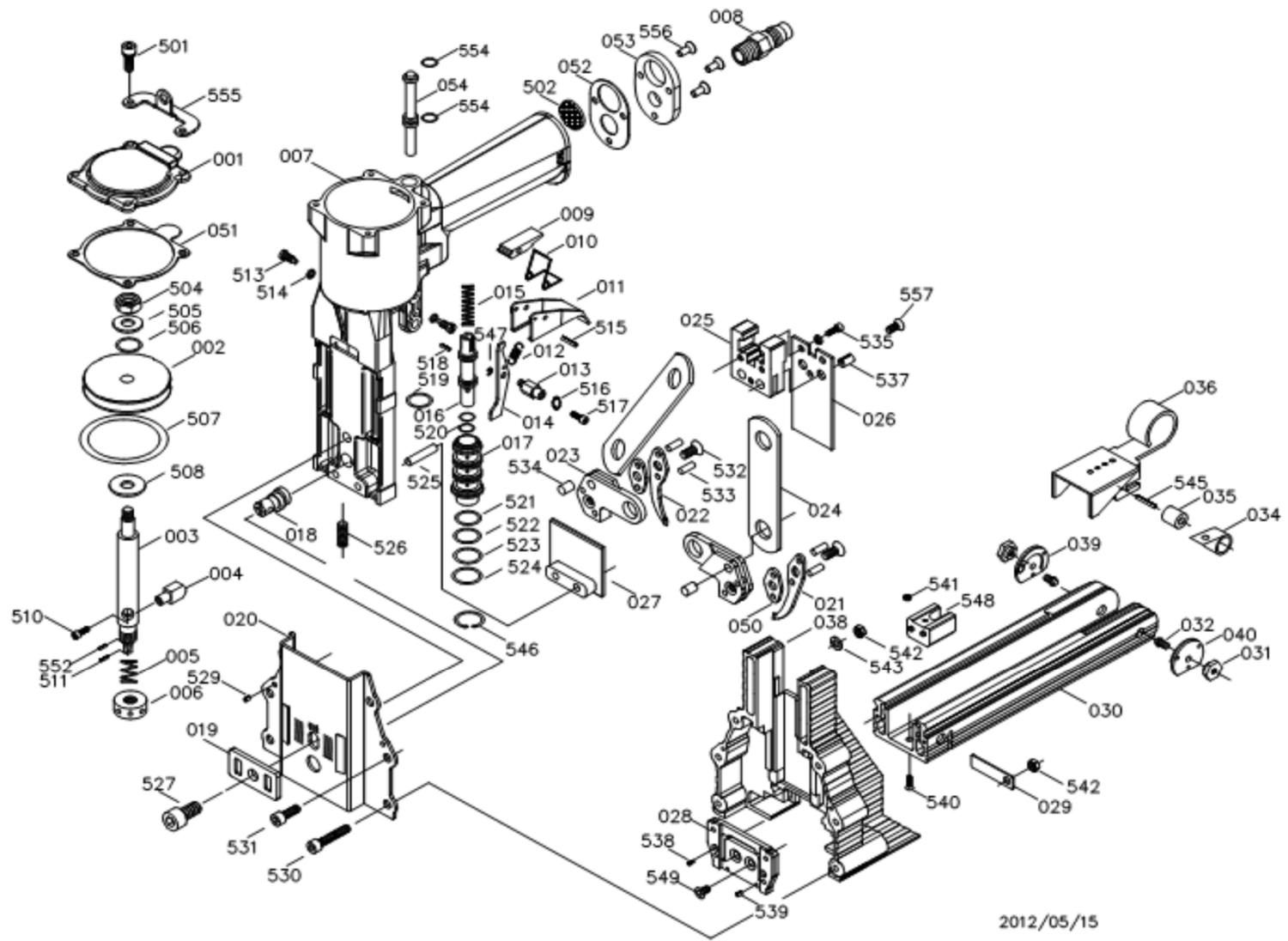


CCA-19

Item	Part No.	Part Name	Q'ty	Remark	Item	Part No.	Part Name	Q'ty	Remark	Item	Part No.	Part Name	Q'ty	Remark
001	XM10146	CAP	1	NO MARK	035	XM10178	ROOLER	1		535	XM10657	HEX.SOC.HD.BOLT	2	M4 x 0.7-10
002	XM10147	PISTON	1		036	XM10179	PUSHER UNIT	1	19-35	537	XM10683	SPRING PIN	2	φ6-16
003	XM10148	PISTON ROD	1		036	XM10711	PUSHER UNIT	1	19-32	538	XM10718	FLAT HD.SCREW	2	M2.6 x 0.45-10
004	XM10149	BLOCK	1		036	XM10752	PUSHER UNIT	1	19-34	539	XM10719	SPRING PIN	2	φ2-6
005	XM10150	SPRING	1		036	XM10753	PUSHER UNIT	1	7437	540	XM10120	HEX.SOC.FLAT COUNTER	1	M4 x 0.7-22
006	XM10151	COLLAR	1		036	XM10754	PUSHER UNIT	1	9040	541	XM10220	LOCK NUT	1	M4 x 0.7
007	XM10152	BODY UNIT	1		038	XM10180	MAGAZINE SEAT	1		542	XM10221	LOCK NUT	6	M5 x 0.8
008	XM10441	AIR PLUG	1	(Japan)	039	XM10181	RIGHT PUSHER GUIDE	1		543	XM10222	WASHER	4	φ5.1 x φ12 x 0.8T
008	XM10442	AIR PLUG	1	(USA)	040	XM10182	LEFT PUSHER GUIDE	1		545	XM10223	SPRING PIN	1	φ4-16
008	XM10443	AIR PLUG	1	(Euro)	050	XM10183	WASHER	2		546	XM10224	C-RING	1	φ20孔用
009	XM10153	BLOCK	1		051	XM10184	WASHER	1		547	XM10225	E-RING	1	φ2.5
010	XM10154	SPRING	1		052	XM10185	WASHER	1		548	XM10226	BRACKET	1	
011	XM10155	TRIGGER	1		053	XM10186	COVER	1		549	XM10227	HEX.SOC.FLAT COUNTER SUNK HD.SCREW	2	M4x0.7-8
012	XM10156	SPRING	1		054	XM10187	SHAFT	1		552	XM10228	PLASTIC PIN	1	
013	XM10157	ROD	1		501	XM10188	HEX.SOC.HD.BOLT	4	M4 x 0.7-14	554	XM10229	O-RING	2	P6 φ1.9x5.8
014	XM10158	TRIGGER'S CONTROL	1		502	XM10189	SILENCER	1		555	XM10230	COUNTER BALNCR HANGER	1	
015	XM10159	SPRING	1		504	XM10190	HEX.NUT	1	M6 x 1 鋼製	556	XM10231	HEX.SOC.FLAT COUNTER	3	M4 x 0.7-10
016	XM10495	VALVE	1		505	XM10191	WASHER	1	1/4" x 5/8" x 1T	557	XM10232	HEX.SOC.FLAT COUNTER SUNK HD.SCREW	1	M4x0.7-6
017	XM10161	TUBE	1		506	XM10059	O-RING	1	φ1.78 x φ7.65	MOQ for items in the following categories is 10pcs, order quantities under 10pcs for these items will be adjusted accordingly 1. Orings – not included in the oring kits 2. Screws, bolts 3. Pins - roll pin, solid pins 4. Standard washers – not special washers. 5. Nuts				
018	XM10162	ADJUSTING ROD	1		507	XM10193	O-RING	1	φ5.3 x φ43.82					
019	XM10163	ADJUSTING PLATE	1		508	XM10194	WASHER	1	φ8 x φ23 x 1.6T					
020	XM10164	FRONT PLATE	1		510	XM10195	HEX.SOC.HD.BOLT	1	M4 x 0.7-10					
021	XM10165	RIGHT TEETH	1	19mm	511	XM10196	SPRING PIN	1	φ2.5-14					
022	XM10166	LEFT TEETH	1	19mm	513	XM10197	TRIGGER SCREW	2	M4 x 0.7-7					
023	XM10167	TEETH SEAT	2		514	XM10198	SPRING WASHER	2	M4					
024	XM10168	PLATE	2		515	XM10199	SPRING PIN	1	φ3-20					
025	XM10169	BLOCK	1		516	XM10200	OUTSIDE TEETH WASHER	1	M4					
026	XM10170	DRIVER	1	19-35 , 9040 , 7437	517	XM10201	HEX.SOC.HD.BOLT	1	M4 x 0.7-10					
026	XM10743	DRIVER	1	19-32	518	XM10202	SPRING PIN	1	φ3-10					
026	XM10744	DRIVER	1	19-34	519	XM10203	O-RING	1	φ1.78 x φ12.42					
027	XM10171	COVER UNIT	1		520	XM10059	O-RING	2	φ1.78 x φ7.65					
028	XM10172	DRIVER GUIDE UNIT	1	19-35 (2.35mm)	521	XM10204	O-RING	1	φ1.6 x φ14.5					
028	XM10703	DRIVER GUIDE UNIT	1	19-32	522	XM10205	O-RING	1	φ1.6 x φ15					
028	XM10746	DRIVER GUIDE UNIT	1	19-34	523	XM10206	O-RING	1	φ1.6 x φ15.5					
028	XM10747	DRIVER GUIDE UNIT	1	7437	524	XM10207	O-RING	1	φ1.6 x φ16					
028	XM10748	DRIVER GUIDE UNIT	1	9040	525	XM10208	ROD	2	φ4.85-17.5					
029	XM10173	PLATE	2		526	XM10209	HEX.SOC.HDLESS.	1	M6 x 1-14					
030	XM10174	MAGAZINE	1	19-35	527	XM10210	HEX.SOC.HD.BOLT	1	M8 x 1.25-16					
030	XM10707	MAGAZINE	1	19-32	529	XM10381	SPRING PIN	4	φ3-10					
030	XM10749	MAGAZINE	1	19-34	530	XM10716	HEX.SOC.HD.BOLT	2	M5 x 0.8-50					
030	XM10750	MAGAZINE	1	9040 , 7437	531	XM10717	HEX.SOC.HD.BOLT	4	M5 x 0.8-30					
031	XM10175	ROD NUT	2		532	XM10213	HEX.SOC.FLAT COUNTER	2	M5 x 0.8-12					
032	XM10176	ROD	2		533	XM10214	PIN	4	φ3.96-13.6					
034	XM10177	SPRING	1		534	XM10215	PIN	2	φ6.05-8					



2012/05/15