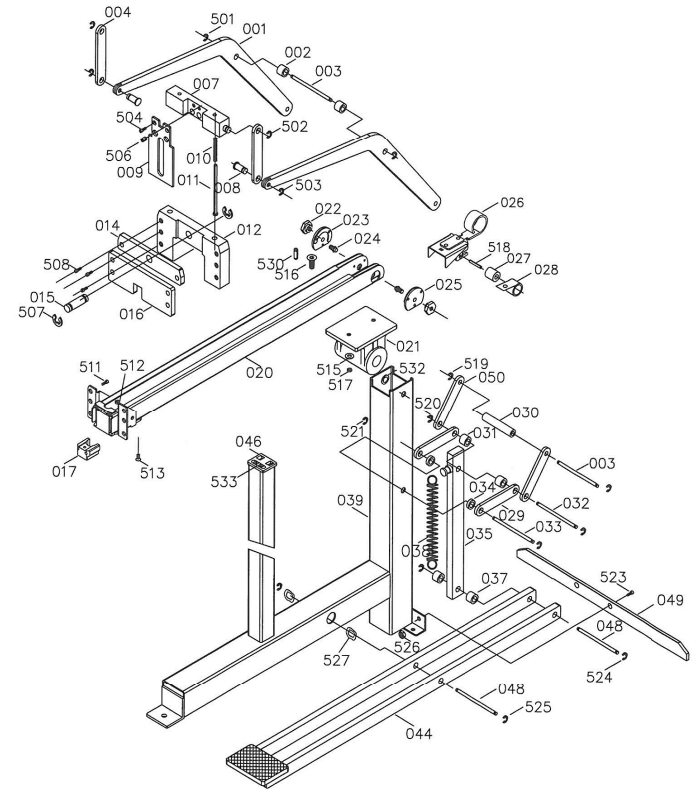


MT-PB		NOTE: When ordering spare parts. Please state the part name and part number.							2017/12/6
Item	Part No.	Description	Q'ty	Item	Part No.	Description	Q'ty		
001	XM10062	A00600102	LINK 1	2	050	XM10111	A00602903	LINK 3 -C	2
002	XM10063	A00603401	TUBE	2	501	XM10112	BAF11002	E-RING	2
003	XM10064	A00603201	SHAFT E	2	502	XM10113	BAF10502	E-RING	2
004	XM10065	A00600401	LINK 2	2	503	XM10113	BAF10502	E-RING	2
007	XM10066	A00600703	DRIVER SEAT	1	504	XM10114	BAC0604102	HEX.SOC.HD.BOLT	2
008	XM10067	A00600801	SHAFT C	2	506	XM10115	BAA060016	SPRING PIN	2
009	XM10068	A00600904	DRIVER	1	507	XM10116	BAF10602	E-RING	2
010	XM10072	A00601002	SPRING	2	508	XM10117	BAC0605102	HEX.SOC.HD.BOLT	6
011	XM10073	A00601103A	SPRING SHAFT	2	511	XM10118	BAC0605082	HEX. SOC. HD. BOLT	6
012	XM10074	A00601202	MAGAZINE SEAT	1	512	XM10119	BAD01041	LOCK NUT	1
014	XM10078	A00601405	COVER B	1	513	XM10120	BAC0204222	HEX.SOC.FLAT COUNTER SUNK HD. SCREW	1
015	XM10079	A00601502	SHAFT D	1					
016	XM10080	A00601605	COVER A	1	515	XM10135	BAE01052	SPRING WASHER	4
017	XM10081	A00607502	BRACKET	1	516	XM10122	BAC0205202	HES.SOC.FLAT COUNTER SUNK HD. SCREW	2
020	XM10082	CMB-S-35-P3-S	MAGAZINE UNIT	1					
021	XM10085	A00602101	BRACKET	1	517	XM10123	BAD02051	LOCK NUT	2
022	XM10086	A00607101	NUT	2	518	XM10124	BAA040016	SPRING PIN	1
023	XM10087	A00103903A	RIGHT PUSHER GUIDE	1	519	XM10112	BAF11002	E-RING	2
024	XM10088	A00103203	ROD	2	520	XM10112	BAF11002	E-RING	2
025	XM10089	A00103904A	LEFT PUSHER GUIDE	1	521	XM10112	BAF11002	E-RING	2
026	XM10090	A00103709A	PUSHER SET	1	523	XM10127	BAC0408202	HEX.SOC.HD.BOLT	2
027	XM10095	A00103501	ROLLER	1	524	XM10112	BAF11002	E-RING	2
028	XM10096	A00602801	SPRING	1	525	XM10112	BAF11002	E-RING	2
029	XM10097	A00602901	LINK 3	2	526	XM10128	BAD01081	LOCK NUT	2
030	XM10098	A00603002	TUBE	1	527	XM10309	BAE03122	WAVE WASHER	2
031	XM10300	A00603701	TUBE	2	530	XM10144	BAA040008	SPRING PIN	4
032	XM10301	A00603202	SHAFT E	1	532	XM10140	BAE03142	WAVE WASHER	2
033	XM10101	A00603302	SHAFT F	1	533	XM10139	BAC0904082	HEX.SOC.FLAT COUNTER SUNK HD. SCREW	1
034	XM10102	A00603402	TUBE	2					
035	XM10302	A00603503A	LINK 4 SET	1	MOQ for items in the following categories is 10pcs, order quantities under 10pcs for these items will be adjusted accordingly				
037	XM10300	A00603701	TUBE	2					
038	XM10303	A00603801	SPRING	1					
039	XM10304	A00603904A	BODY SET	1	1. Orings – not included in the oring kits				
044	XM10305	A00604402A	STEP BOARD SET	1	2. Screws, bolts				
046	XM10109	A00604607	MOLD	1	3. Pins - roll pin, solid pins				
048	XM10306	A00604801	SHAFT G	2	4. Standard washers – not special washers.				
049	XM10110	A00604901	BALANCER	1	5. Nuts				



20070905