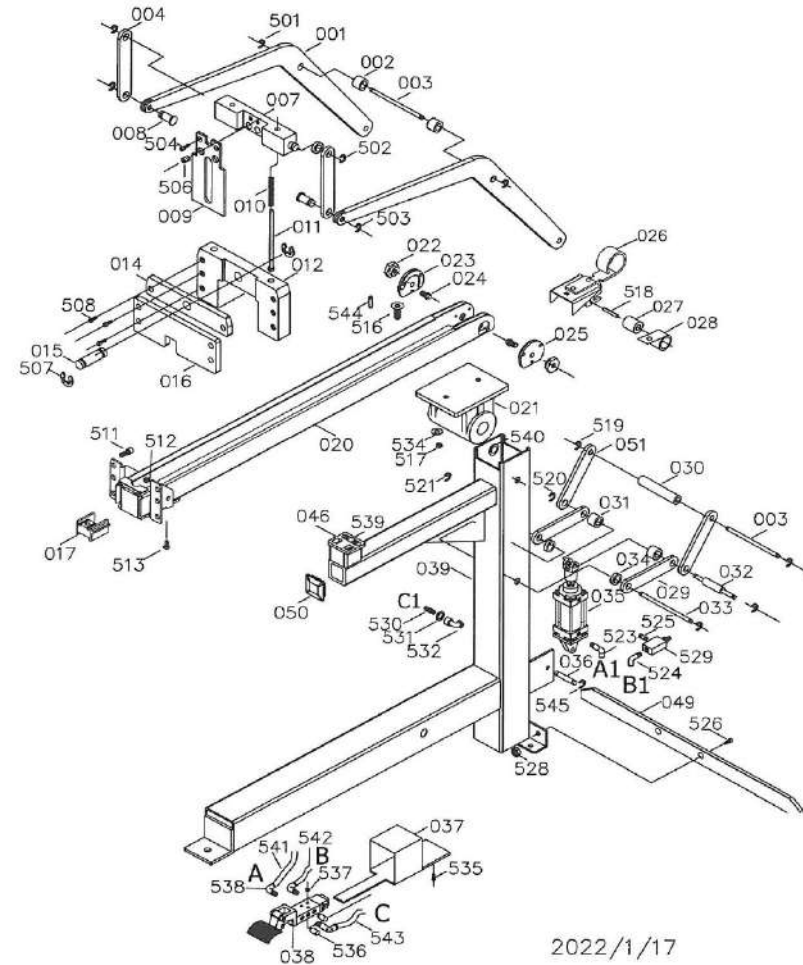


AT-SB		NOTE: When ordering spare parts. Please state the part name and part number.					
Item	Part No.	Description	Q'ty	Item	Part No.	Description	Q'ty
001	XM10062	LINK 1	2	050	XM10283	COVER	1
002	XM10063	TUBE	2	051	XM10111	LINK 3 -C	2
003	XM10064	SHAFT E	2	501	XM10112	E-RING	2
004	XM10065	LINK 2	2	502	XM10113	E-RING	2
007	XM10066	DRIVER SEAT	1	503	XM10113	E-RING	2
008	XM10067	SHAFT C	2	504	XM10114	HEX.SOC.HD.BOLT	2
	XM10068	DRIVER 35	1	506	XM10115	SPRING PIN	2
009	XM10069	DRIVER 32	1	507	XM10116	E-RING	2
	XM10070	DRIVER 34	1	508	XM10117	HEX.SOC.HD.BOLT	6
	XM10071	DRIVER 9040 , 7437	1	511	XM10118	HEX.SOC.HD.BOLT	6
010	XM10072	SPRING	2	512	XM10119	LOCK NUT	1
011	XM10073	SPRING SHAFT	2	513	XM10120	HEX.SOC.FLAT COUNTER SUNK HD. SCREW	1
	XM10260	MAGAZINE SEAT 35	1	516	XM10122	HEX.SOC.FLAT COUNTER SUNK HD. SCREW	1
012	XM10075	MAGAZINE SEAT 32	1	517	XM10123	LOCK NUT	2
	XM10076	MAGAZINE SEAT 34	1	518	XM10124	SPRING PIN	1
	XM10074	MAGAZINE SEAT 9040 , 7437	1	519	XM10112	E-RING	2
014	XM10261	COVER B 32 , 34 , 35	1	520	XM10112	E-RING	2
	XM10078	COVER B 9040 , 7437	1	521	XM10112	E-RING	2
015	XM10079	SHAFT D	1	523		PU PLUG	1
	XM10263	COVER A 32 , 34 , 35	1	524		PU PLUG	1
016	XM10080	COVER A 9040 , 7437	1	525	XM10126	DOUBLE SCREW TUBE	1
017	XM10081	BRACKET	1	526	XM10127	HEX.SOC.HD.BOLT	2
	XM10082	MAGAZINE UNIT 35	1	528	XM10128	LOCK NUT	2
	XM10083	MAGAZINE UNIT 32	1	529		QUICK EXHAUST	1
020	XM10084	MAGAZINE UNIT 34	1		XM10130	AIR PLUG	1
	XM10974	MAGAZINE UNIT 9040 , 7437	1	530	XM10131	AIR PLUG	1
021	XM10085	BRACKET	1		XM10132	AIR PLUG	1
022	XM10086	NUT	2	531	XM10133	SPRING WASHER	1
023	XM10087	RIGHT PUSHER GUIDE	1	532		PU PLUG	1
024	XM10088	ROD	2	534	XM10135	SPRING WASHER	2
025	XM10089	LEFT PUSHER GUIDE	1	535	XM10136	FLAT HEAD SCREW	3
	XM10091	PUSHER SET 32	1	536	XM10137	DEFLECTOR	2
026	XM10092	PUSHER SET 34	1	537	XM10138	NUT	3
	XM10090	PUSHER SET 35	1	538		PU PLUG	3
	XM10094	PUSHER SET 9040 , 7437	1	539	XM10139	HEX.SOC.ROUND.HD.SCREW	2
027	XM10095	ROLLER	1	540	XM10140	WAVE WASHER	4
028	XM10096	SPRING	1	541		TUBE	1
029	XM10097	LINK 3 -A	2			TUBE	1
030	XM10098	TUBE	1	542		TUBE	1
031	XM10099	TUBE	2			TUBE	1
032	XM10100	SHAFT K	1	543		TUBE	1
033	XM10101	SHAFT F	1			TUBE	1
034	XM10102	TUBE	2	544	XM10144	SPRING PIN	4
035	XM10104	CYLINDER SET	1	545	XM10145	E-RING	2
036	XM10105	SHAFT M	1	MOQ for items in the following categories is 10pcs, order quantities under 10pcs for these items will be adjusted accordingly			
037	XM10106	SWITCH COVER UNIT	1				
038	XM10107	SWITCH	1	1. Orings – not included in the oring kits			
	XM10993	BODY SET	1	2. Screws, bolts			
039		BODY SET 155	1	3. Pins - roll pin, solid pins			
		BODY SET 125	1	4. Standard washers – not special washers.			
046	XM10109	MOLD	1	5. Nuts			
049	XM10110	BALANCER	1				

AT-SB



2022/1/17