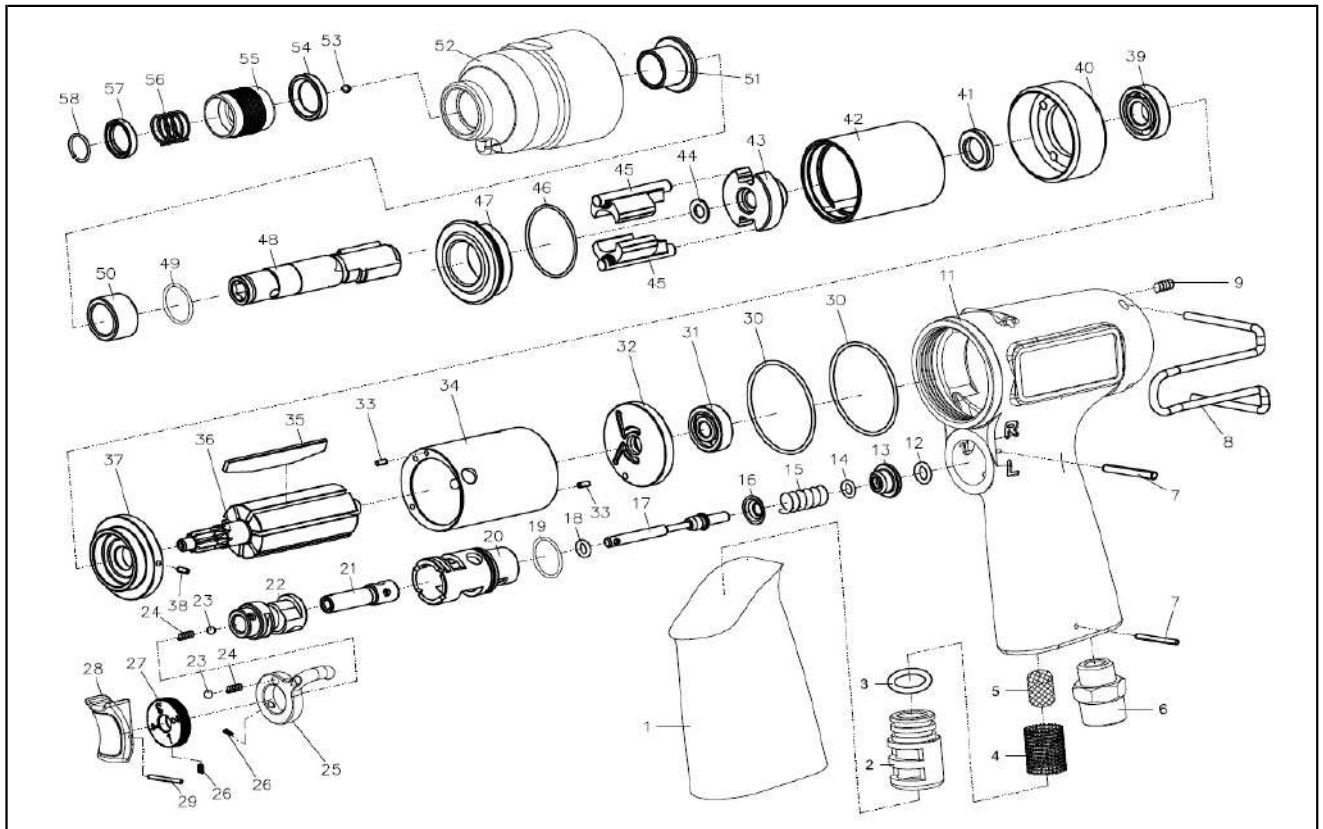


AIR INDUSTRY SCREWDRIVER



Index No.	Part No.	Description	Q'ty	Index No.	Part No.	Description	Q'ty
1	XD10001	GRIP SLEEVE	1	31	XD10030	BALL BEARING	1
2	XD10002	EXHAUST DEFLECTOR	1	32	XD10031	REAR PLATE	1
3	XD10003	O-RING	1	33	XD10032	SPRING PIN	2
4	XD10004	FILTER	1	34	XD10033	CYLINDER	1
5	XD10005	SILENCER	1	35	XD10034	BLADE	7
6	XD10006	AIR INLET	1	36	XD10035	ROTOR	1
7	XD10007	PIN	1	37	XD10036	FRONT PLATE	1
8	XD10008	HOOK	1	38	XD10037	SPRING PIN	1
9	XD10009	SET SCREW	1	39	XD10038	BALL BEARING	1
11	XD10010	MOTOR HOUSING	1	40	XD10039	CLUTCH HOUSING ADAPTER	1
12	XD10011	O-RING	1	41	XD10040	THRUST PLATE	1
13	XD10012	THROTTLE VALVE BUSHING	1	42	XD10041	HAMMEMR CAGE	1
14	XD10013	O-RING	1	43	XD10042	CAM	1
15	XD10014	SPRING	1	44	XD10043	THRUST WASHER	1
16	XD10015	SPRING SPACER	1	45	XD10044	HAMMER DOG	2
17	XD10016	THROTTLE VALVE	1	46	XD10045	O-RING	1
18	XD10017	O-RING	1	47	XD10046	HAMMER CAGE CAP	1
19	XD10018	O-RING	1	48	XD10047	ANVIL (22)	1
20	XD10019	REVERSE VALVE BUSHING	1	49	XD10048	O-RING	1
21	XD10020	CONTROL VALVE	1	50	XD10049	2 ND. BUSHING	1
22	XD10021	REVERSE VALVE	1	51	XD10050	ANVIL BUSHING	1
23	XD10022	STEEL BALL	2	52	XD10051	HAMMER CASE	1
24	XD10023	SPRING	2	53	XD10052	STEEL BALL	1
25	XD10024	REVERSE VALVE LEVER	1	54	XD10053	OIL SEAL	1
26	XD10025	SET SCREW	1	55	XD10054	BIT RETAINER SLEEVE	1
27	XD10026	CONTROL VALVE KNOB	1	56	XD10055	SPRING	1
28	XD10027	TRIGGER	1	57	XD10056	BIT WASHER	1
29	XD10028	SPRING PIN	1	58	XD10057	BIT RING	1
30	XD10029	O-RING	2				